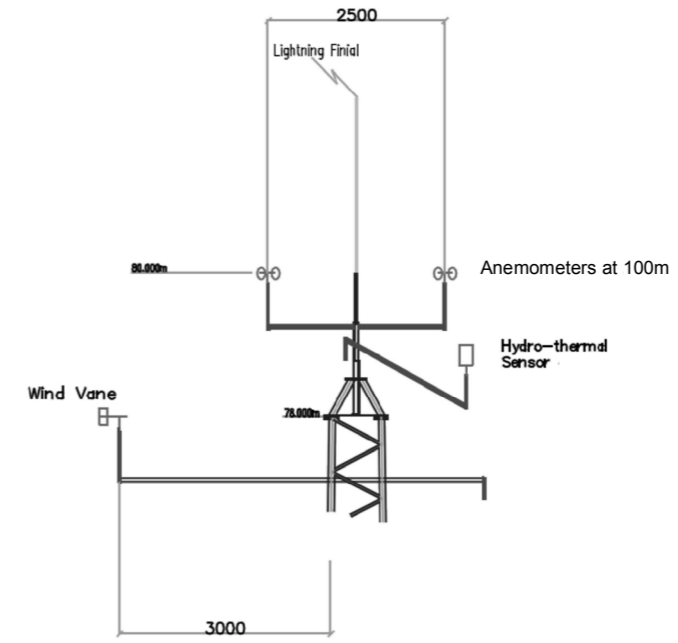
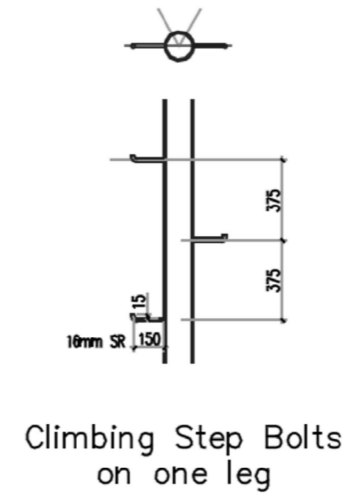
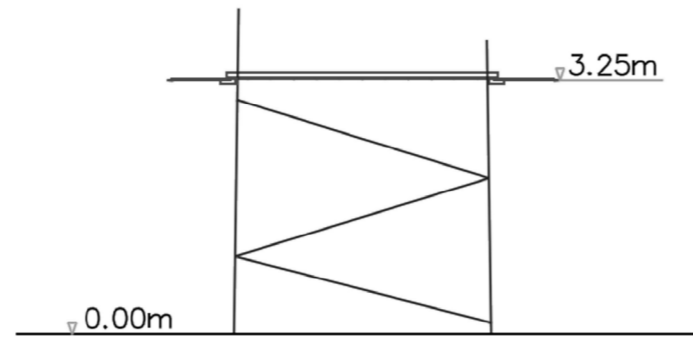


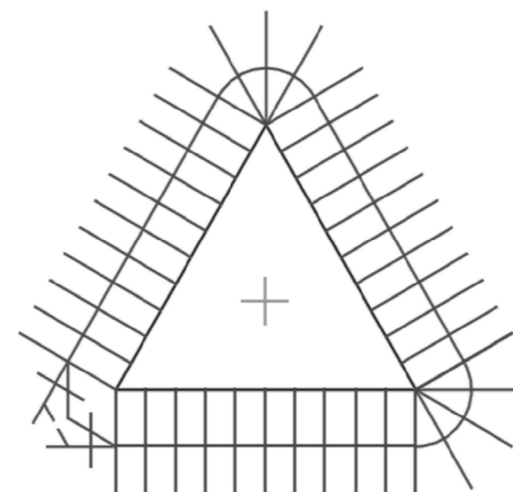
Typical Anemometer Support Booms



Tower Peak, Sliding Pole and Typical Booms



Climbing Step Bolts on one leg



Note:

The tower is triangular lattice construction with hollow circular sections throughout.

A lightning finial would be fitted to the tower top and each leg of the tower should be connected to an adequate earth system.

Do not scale this drawing.



Cumberhead West Wind Farm
Environmental Impact Assessment Report

Figure 3.12

Typical Meteorological Mast Elevations